

PLEASE CHECK WWW.MOLEX.COM FOR LATEST PART INFORMATION

Part Number: [0496261182](#)
Status: **Active**
Description: 4.20mm (.165") Wire-to-Wire Lower TPA™ for Male Housing, 11 Circuits

Documents:

[Drawing \(PDF\)](#) [RoHS Certificate of Compliance \(PDF\)](#)

General

Product Family	Crimp Housings
Series	49626
Product Name	N/A

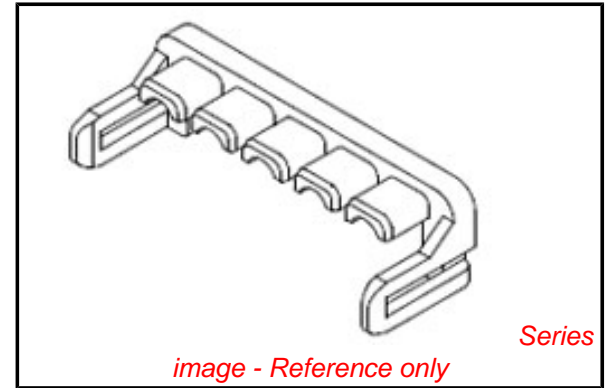
Physical

Circuits (maximum)	11
Circuits Detail	11
Color - Resin	Red
Gender	Male
Glow-Wire Compliant	No
Keying to Mating Part	None
Lock to Mating Part	Yes
Material - Resin	Nylon
Number of Rows	1
Packaging Type	Bag
Panel Mount	No
Pitch - Mating Interface (in)	0.165 In
Pitch - Mating Interface (mm)	4.20 mm
Polarized to Mating Part	Yes
Stackable	No
Temperature Range - Operating	-40°C to +105°C

Material Info

Reference - Drawing Numbers

Sales Drawing	SD-49626-001
---------------	--------------



EU RoHS

**ELV and RoHS
Compliant**
REACH SVHC
 Not Reviewed
**Halogen-Free
Status**

China RoHS



**Need more information on product
environmental compliance?**

Email productcompliance@molex.com
 For a multiple part number RoHS Certificate of
 Compliance, [click here](#)

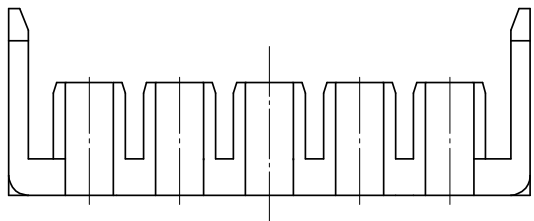
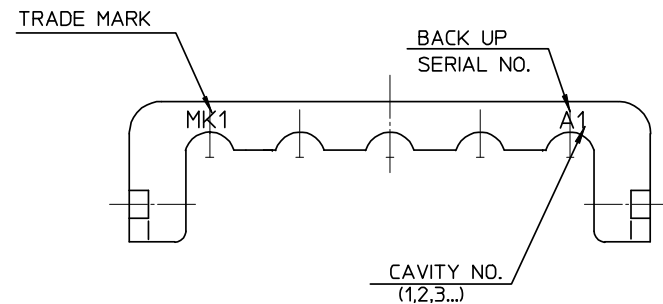
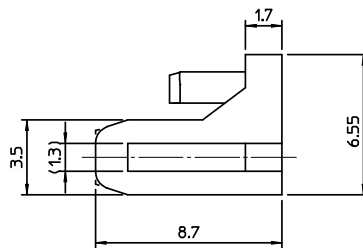
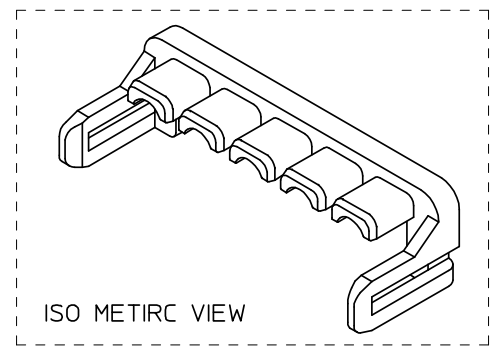
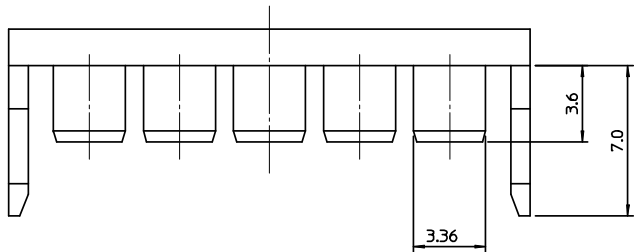
Please visit the [Contact Us](#) section for any
 non-product compliance questions.

Search Parts in this Series

[49626Series](#)

Mates With

4.20mm (.165") Wire-to-Wire Male TPA™
[49623](#)



-TABLE-

49626-1182	496261182	42	49.5	11
49626-1082	496261082	37.8	45.3	10
49626-0982	496260982	33.6	41.1	09
49626-0682	496260682	21.0	28.5	06
49626-0582	496260582	16.8	24.3	05
49626-0382	496260382	8.4	15.9	03
ENG NO.	MATREIAL NO.	A	B	CIRCUIT

NOTES

1. MATERIAL : POLYAMIDE(PA66),GLASS FILLED, UL94V-HB, COLOR : RED
2. APPLICABLE TERMINAL : 5558 T2A SERISE. 5558 T SERISE.
3. MATED WITH : 49623-**90 SERIES.
4. PRODUCT SPECIFICATION : PS-49623-001

RELEASED EC NO: KOR2008-0134 DRWN:SKHAN01 2008/02/27 CHKD:WY. YANG 2008/02/29 APPR:YUNS.IKK.IM 2008/02/29	QUALITY SYMBOLS	GENERAL TOLERANCES (UNLESS SPECIFIED)	DIMENSION STYLE	SCALE	DESIGN UNITS	THIRD ANGLE PROJECTION
	▽=0 ▽=0	mm INCH	MM ONLY	4:1	METRIC	
		4 PLACES ± --- ± ---	DRAWN BY DATE	TITLE		
		3 PLACES ± --- ± ---	SK. HAN 2008/01/29	4.2MM W/W TPA CONN. LOWER TPA FOR MALE HOUSING		
	2 PLACES ± 0.3 ± ---	2008/01/29	MATERIAL NO.			
	1 PLACE ± 0.3 ± ---	2008/01/29	DOCUMENT NO.			
	ANGULAR ± 3 °		SD-49626-001			
		DRAFT WHERE APPLICABLE MUST REMAIN WITHIN DIMENSIONS	SHEET NO. 1 OF 1			

APPROVED BY DATE	MATERIAL NO.
EH. JUNG 2008/01/29	
SIZE	THIS DRAWING CONTAINS INFORMATION THAT IS PROPRIETARY TO MOLEX INCORPORATED AND SHOULD NOT BE USED WITHOUT WRITTEN PERMISSION
A3	

SEE TABLE

MOLEX	MOLEX INCORPORATED
-------	--------------------